



THE FALCON TIMES



*The Official Newsletter of the Northeast Chapter
Falcon Club of America*

Carroll Hall Shelby 1923 - 2012



Carroll Shelby





It's That Time Again!

IN THIS ISSUE	
<input type="checkbox"/> Blue Oval Office	2
<input type="checkbox"/> Club Business	3
<input type="checkbox"/> Tech Stuff	12
<input type="checkbox"/> Feathered Friends	13
<input type="checkbox"/> Odds and Ends	14

NE CHAPTER OFFICERS

PRESIDENT

Rick Bowes #103
245 South Main Street
Coventry, RI 02816
falconssprint@aol.com

VICE PRESIDENT

Andre Auger, Jr. #257
169 West Street
Douglas, MI 01516
andrethegiantjr@yahoo.com

SECRETARY

Kathy Nenner #232
66 Willowbrook Road
Cromwell, CT 06416
gnenner@comcast.net

TREASURER

Bill Warburton #448
740 Tunk Hill Rd
Hope, RI 02831-1623
billwarb@cox.net

NE CHAPTER EDITORS

NEWSLETTER

Gary Nenner #232
66 Willowbrook Road
Cromwell, CT 06416
gnenner@comcast.net

WEB SITE

Ray Chevalier #068
73 Francis Road
Gloucester, RI 02857
raysfalcon@cox.net

Founders/Early Members

Name	Number
Milt Robar	1
Vinny Delucia	2
Howie Wheeler	4
Dennis Lavoie	8
Tom Masserelli	10
Chris Scioscia	13
Karl Clark	19
Jim Heusinger	23

Well another Show/Cruise season is upon us and I still have yet to take the Sprint to any events. My son's car was not running so he took it out to a local show, that I could not attend. I thought retirement would give me all the time in the world to do things but as I heard so many times before from my friends and relatives, "I don't know how I had time for work before retiring." I guess it's a time management problem I have yet to learn, but I will.

Part 3 of the "The Trailer Story" that I have been talking about was suppose to end the saga, but as I started to put it down on paper it became clear that a Part 4 was needed to tell the whole story. Just remember that you are to blame for this four-part story because nobody sent me anything interesting to report so you get my boring trailer story. Actually, I have received some interesting articles from members in the last few weeks (probably trying to avoid Part 3 of the trailer story). So, once Part 4 is complete there will be some good informational articles on, tire safety, the history of car radios and much more for the next couple of issues.

Kathy and I will be joining the migration to the National Convention in Louisville with Cris and Rick Bowes, so if you want to witness a possible Part 5 of the trailer story in person join us for a memorable trip.

On a sadder note, the passing of fellow club member Bob Finkle of Philment, NY was reported to us by his wife Mary Jane. In addition, the loss of the "Legendary" Carroll Shelby on May 10th. May Bob, Carroll and any love ones we have lost rest in God's peace.

Hope to see you at our next meeting on June 16 at the Tri-State Cruisers Cruise Night in Pomfret, CT. and remember.

"Don't Worry, Be Happy and God Bless"

Gary



Antique Auto Parts



CHECK OUT HAGERTY'S COOL CLUB WEB-SITE @

<http://www.hagerty.com/carclubcentral>

OR GO TO THE NE CHAPTER WEB-SITE FOR A DIRECT LINK



President's Message

Hi Everyone, I have three items to mention this month. The first item is the National show in Louisville, Kentucky. If you have never been to a National show this will be a great one to attend. Cris and I will be driving to Kentucky with our '63 Sprint Convertible. If you would like to drive down with us, come to this month's meeting so we can make plans for the migration. The second topic is our own Regional meet. It is shaping up to be our best show ever. We are having it in the Mystic Aquarium parking lot. Our banquet will be inside the Aquarium that evening.

There is so much to do in the area. Right down the road, for history buffs, is the Mystic Seaport Village.

For the shopper there is Mystic Village with many boutique specialty shops.

For the gamblers there are Foxwoods and the Mohican Sun Casinos right up the road. Please make plans to attend. Finally, my last item of interest. If you have any ideas, problems or suggestions for the National or local club please email me at Falconsprint@aol.com and I will bring up your concerns to the National Board.

Hope to see you at the next meeting in Pomfret, CT on Saturday, June 16th at the intersection of CT. Rtes 101 and 169. Last month there were over two hundred cars and about ten Falcons at the cruise night. Our meetings for the summer will be held on Saturday, June 16th, July 21st and August 18th. For a fun night plan to attend our meeting.

Thanks,



Rick

From the Regional Director's Desk

I had thought about doing this story when it happened two years ago but forgot about it until I just received my car registration renewal for my blue 63 Falcon Hardtop. In fact, I was going to send the story to Letters to the Editor of the Providence Newspaper.

For 20 plus years, I had a RI Vanity Plate, which is a plate with special words or letters. Mine was KOOL-63. Of course, there is a special fee for this type of a plate. When I first got it the fee was \$15.00 per year or \$30.00 for a 2 year renewal when a regular registration was \$6.00 per year. That fee lasted a few years and then the fee went up to \$30.00 per year and \$60.00 for the 2 year renewal.

As with most states, they are always looking for ways to increase revenue so a few years later the fee went to \$60.00 per year or \$120.00 for a 2-year renewal.

At this point I had given some serious thought to getting rid of the vanity plate, but the plate had been on the car for so long and people knew the car by the plate. So I paid the price for a couple of more renewal periods. Then 2 years ago, when I received my registration renewal and the cost had gone to \$90.00 per year or \$180.00 for the 2 year renewal period. I said, enough is enough, and went to the registry and registered the Falcon with an Antique Plate at the cost of \$5.00 per year or \$10.00 for the 2 year renewal period. With an antique plate the vehicle also does not have to be inspected every 2 years at a cost of \$47.00 which it did with the vanity plate.

So let's do the math and see how the State of RI made out on this deal.

What they would have received over the last 4 years registrations:

$$\$180.00 \times 2 = \$360.00$$

Inspections of the vehicle with vanity plates:

$$\begin{array}{r} \$47.00 \times 2 = \underline{\$94.00} \\ \text{Total} \quad \quad \quad \$454.00 \end{array}$$

What I did pay the state of RI for 4 years antique registration:

$$\$10.00 \times 2 = \$20.00$$

If my math is correct \$454.00 minus \$20.00, means the state of RI ended up with \$434.00 less when they were trying to increase revenue. So, I guess the question is: did I beat the state out of \$434.00 or did they screw themselves? As I recall I don't remember losing as much as 3 seconds sleep over this. Sometimes you have to wonder what they were thinking when they create these fees. I hope you enjoyed this little story.

"See you in a Falcon"



Ray



Treasurer's Report

Prepared By:

Bill Warburton, Treasurer
740 Tunk Hill Rd., Hope, RI 02831
(401) 647-9266 billwarb@cox.net

Members by State

MA – 38	NY - 16	ME – 3
CT – 30	NH – 6	NJ – 2
RI - 14	PA – 3	VT – 1
		CANADA -1

MARCH 2012

114 MEMBERS

DATE	DESCRIPTION	DEPOSITS	CHECKS	ACCOUNT BALANCE
<i>Beginning Balance 03/01/2012</i>				\$3,244.45
	No Activity			
<i>Ending Balance 03/31/2012</i>				\$3,244.45

APRIL 2012

114 MEMBERS

DATE	DESCRIPTION	DEPOSITS	CHECKS	ACCOUNT BALANCE
<i>Beginning Balance 04/01/12</i>				\$3,244.45
	No Activity			
<i>Ending Balance 04/30/2012</i>				\$3,244.45

The Falcon Times by e-mail

If you would like to have, your copy of **The Falcon Times** e-mailed to you rather than regular mail, please send your e-mail address to: genninger@comcast.net

It would save the club money on printing and mailing costs (and the world trees) and greatly appreciated by all. **Please think about it!**

MEETING/SHOW NOTICES



- Next Chapter Meeting June 16th the Tri-State Cruisers Cruise Night in Pomfret, CT. Meeting to be held at approximately 7:00.
- 33rd Annual FCA Nationals, Louisville, Kentucky - July 12-14, 2012
- 21st Annual All Ford Motor Company Cruise & Cookout! Sunday July 15th at Mustangs Unlimited, Manchester, CT.
- 15th Annual Northeast Chapter Regional Mystic, CT – Sept. 14th & 15th 2012
- 2012 Norwich, CT Chamber of Commerce Car Show Sunday Sept. 16th 2012



Northeast Chapter Falcon Club of America

Meeting Minutes

April 21, 2012 – 5:30 pm – Mystic, CT

We met at the Equinox Diner in Mystic for dinner at 5:30 p.m. There were 16 members in attendance. At 7:20 p.m. we met for our business meeting at the Mystic Aquarium parking lot where our Regional Meet will be held.

President – Rick Bowes welcomed everyone. He talked about the Regional Meet. Two hotels have been reserved. They are Howard Johnsons at \$99.00/night and the Comfort Inn at 109.00/night. The Comfort Inn is under the highway on the right and includes breakfast. We will be able to purchase tickets to tour the Aquarium as a “block” to get a special rate. We do not have a design for the T-shirts yet, but we are trying a new vendor that the National Club uses. Also the Falcon Club is now licensed to use the FORD logo on our T-shirts.

Rick extended our sympathies to the following:

Ray Chevalier – his mother passed away

Andre Auger – his mother passed away

Larry Ashman - his father, Stan, passed away

Vice President – Andre Auger – no report.

Treasurer's Report – Bill Warburton indicated our Balance in checking account is now \$3,244.00. Membership is at 114 members.

Secretary's Report – Kathy Nenninger – no report

Regional Director – Ray Chevalier – not present.

Newsletter - Gary Nenninger said he is working on the April issue. You will receive it soon.

New Business: The National is being held in Louisville, Kentucky, July 12th to 14th. Cris & Rick are leaving on July 7th (Saturday) if anyone is interested in traveling with them. They plan to do some site-seeing along the way.

The next meeting will be held on Saturday Night, May 19th, at the Putnam Cruise Night at 5:00 PM. This is held in the Stop & Shop/Sears Shopping area

Meeting was Adjourned at 7:35 PM

Respectfully Submitted.
Kathy Nenninger





Northeast Chapter Falcon Club of America

Meeting Minutes

May 19, 2012 – 7:00 pm –Pomfret, CT

We met at Pomfret Cruise Night at 5:30 p.m with the meeting being held at 7:00.

President – Rick Bowes welcomed everyone. He talked about the Regional Meet. Two hotels have been reserved. They are Howard Johnsons at \$99.00/night and the Comfort Inn at 109.00/night. The Comfort Inn is under the highway on the right and includes breakfast. The members present voted to reduce the price of the Registration fee to \$15 if you register prior to September 1st and \$20 if you register on or after September 1st. Also the reduced price for a 2nd car will be \$10/\$15 by the above dates.

We discussed a new vendor for our t-shirts, plaques and dash plaques. The vendor is from Pennsylvania and is about half the price of Daytona Trophy, our previous vendor. We will submit the photos of the winning cars from the 2011 show for their design work.

National show – Louisville, KY. A few local members will be attending. Members voted to send a donation to the show chapters for a sponsorship.

Vice President – Andre Auger – not able to make the meeting. Prior commitment.

Treasurer's Report – Bill Warburton indicated our Balance in checking account is now \$3,244.00. Membership is at 114 members.

Secretary's Report – Kathy Nenninger – not able to make the meeting. Prior commitment

Regional Director – Ray Chevalier – Ray presented the information about the new vendor for the t-shirts. Ray will meet with Rick to put the information together for submission. Ray is looking for anything that needs to be addressed at the National Meeting in July. There will also be a new chapter forming in Syracuse, New York.

Newsletter - Gary Nenninger not able to make the meeting. Prior commitment

The next meetings will be held on the following Saturday Nights, June 16th, July 21st and August 18th at the Tri-State Cruisers Cruise Night in Pomfret, CT . Meeting to be held at approximately 7:00. This is was formerly held in the Stop & Shop/Sears Shopping area in Putnam, CT. It has moved this year to the intersection of Rt. 101 and Rt. 69 in Pomfret, CT.

Meeting was adjourned at 7:30 PM



Respectfully Submitted.
Cristine Bowes for Kathy Nenninger



Summer Meeting Schedule

Our meetings for the summer will be held on Saturday, June 16th, July 21st and August 18th. Hope to see you at the next meeting in Pomfret, CT on Saturday, June 16th at the intersection of CT. Rtes 101 and 169. For a fun night, plan on attending our meetings.

Rick

AN INVITATION FROM THE MASS CRUISERS

I have been a member of the FCA for 3 years I am also a member of the Mass Cruisers. We have the cruise nights at Foxboro Stadium. This year for the car show scheduled for August 19, 2012 at Wrentham State Park, the park has offered to give us 20 acres for the show. We are planning to have the show include a flea market, corral, entertainment, food vendors, and a Fifties/Sixties dance in the evening.

I would like to offer any FCA members that own a business to set up an advertising table free. In addition, if the FCA members would like to set up a table to sell spare parts that is ok as well. It will all be at no cost. Please contact me at Zeke.Sawayer@cbre-ne.com if anyone is interested. Please spread the word to other members in the New England area.

Thank You,

Zeke Sawayer

SUNDAY SEPTEMBER 16, 2012



Ty-Rods Club Inc. ©
P.O. Box 409
North Reading, Ma. 01864

March 20, 2012

For immediate release:

40th Annual Ty-Rods' Old Timers' Reunion: Sunday September 9th 2012
Pre-1973 Hot Rods & Custom cars

Date - Sunday September 9th, 2012

Time - 9:00 A.M. to late afternoon

Location - Lancaster Fairgrounds, Route #117, Lancaster, Ma. (4.5 miles west of route 495 on Rt. 117)

Admission - \$12.00 Children 12/under free

Parking - Free

Info: 978-357-3801 or Oldtimers@ty-rods.org

Web: www.ty-rods.org

Application: Application@www.ty-rods.org

Thank you.



For Immediate Release:



33rd Falcon Nationals 2012 Tri-State Nationals, Louisville KY

Louisville, KY- It's never too early to plan ahead. The Bluegrass, Hoosier and Ohio Valley chapters of the FCA are doing just that. We are already looking forward to July 12-14 of 2012 when we will be hosting the 33rd annual Falcon Nationals in Louisville KY. The host hotel for the event will be the Fern Valley Hotel and Conference Center just minutes away from downtown Louisville and many area attractions. Our goal is to make this event affordable, accessible and entertaining! Affordable because we have negotiated a double occupancy room rate of only \$79.00 per night. Even better this price includes a delicious buffet breakfast the next morning. How's that for southern hospitality? Accessible because the Louisville location is centrally located for a good portion of the FCA membership. Entertaining, well you will just have to wait and see what is planned but we can promise you won't be bored during your stay with us.

**The Tri-State Nationals: Three chapters, three states, three times the fun!
We are hoping you will make plans to be there in 2012.**

Contact: Dale Daughtery
Phone: 502-290-8716
Email: drdwolfe2@insightbb.com
Website: www.tristatefalconnationals2012.com

###



2012 33rd Annual FCA National Convention

3 Chapters – 3 States – 3 Times The Fun

July 12–14, 2012

Fern Valley Hotel and Conference Center

Hosted by the Blue Grass, Hoosier, and Ohio Valley Chapters



REGISTRATION FORM

Name: _____ Spouse/Guest: _____

Address: _____ City _____ State _____ Zip _____

E-Mail/Phone: _____ FCA Chapter: _____ FCA # _____

Falcon Information:

Year	Model	Body Style	Engine	Color	Category
1. _____	_____	_____	_____	_____	_____
2. _____	_____	_____	_____	_____	_____
3. _____	_____	_____	_____	_____	_____

Categories: Stock, Daily Driver, Diamond In the Rough, Modified, Light Modified, Masters, and Display.
(Class Ties will be broken by the registration date)

Trailer Parking Required: Yes _____ No _____

REGISTER EARLY!

	Before June 15th	After June 15th	Qty	Total
First Vehicle	\$20.00	\$25.00	_____	\$ _____
Additional Vehicles (each)	\$15.00	\$20.00	_____	\$ _____
No Vehicle – Voting Right	\$15.00	\$20.00	_____	\$ _____
Swap Space (each): 18Wx20D	\$30.00	\$35.00	_____	\$ _____
T-Shirt	\$15.00		_____	\$ _____

SORRY, SWAP AREA SOLD OUT...

Please indicate T-Shirt Quantity and Size(s):

S _____ M _____ L _____ XL _____

2X (\$17) _____ 3X (\$17) _____ \$ _____

Banquet Adults : \$35.00 _____ \$ _____

Pizza Party 12 /under \$10.00 _____ \$ _____

Total: \$ _____

Liability Release must be signed to complete registration: Signature constitutes the release of responsibility and/or liability of the FCA, Blue Grass Chapter, Hoosier Chapter, Ohio Valley Chapter, Fern Valley Hotel and Conference Center, UAW 862, and Officers from all losses, stolen property, damage, injury, negligent acts arising out of or related to my participation or attendance of the 2012 Falcon Club of American National Convention.

Signature: _____ Print Name: _____ Date: _____

Hotel Information: \$79.00 (be sure to mention FCA to get rate)

Fern Valley Hotel and Conference Center
2715 Fern Valley Road
Louisville, KY 40213 (502)-964-3311

Make check payable to: FCA Tri-State Nationals
Mail registration form and check to:

For additional information call:

Dale Daugherty 502-648-9801
John Howard 513-312-8799
Larry Bensheimer 317-418-8301

Larry Bensheimer
4900 North Road 400 West
Bargersville, IN 46106



**Northeast Chapter
Falcon CLUB OF AMERICA
PRESENTS THE 15TH ANNUAL
REGIONAL FALCON MEET**

*September 14 & 15, 2012 at the Mystic Aquarium
55 Coogan Blvd., Mystic, Connecticut*

Meet and Banquet Registration Form

Name: _____ Spouse/Guest: _____

Address: _____ City: _____

State: _____ Zip: _____ Phone: (____) _____

Falcon Registration Information

Vehicle Year: _____ Model: _____ Body Style: _____

Color: _____ Engine: _____ Stock: _____ Modified _____

Falcon Registration Fee: \$15.00 before 09/01/12 \$20.00 after 09/01/12 \$ _____
2nd Car \$10.00 before 09/01/12, \$15.00 after 09/01/12 \$ _____
Special Daily Driver Class: \$10.00 \$ _____
Banquet: Saturday September 15, 2012 at 6:30 pm _____ @ \$35.00 \$ _____
(The Banquet will be held inside of the Aquarium)

Total Falcon Registration & Banquet Amount: \$ _____

*For Hotel registrations call the Comfort Inn at 860- 572-8531 or
Howard Johnson, 860-536-2654 (backup hotel)
Room rates are \$109 and \$99.00 plus tax per night guaranteed until August 18, 2012
You must mention Falcon Club Show when making your reservations.*

*Send this form and remittance payable to: Northeast Chapter FCA,
c/o Kathy Nenninger, 66 Willowbrook Rd., Cromwell, CT 06416
For more information contact Kathy at (860) 632-0451 or Cris Bowes at (401) 823-1059*

WAIVER OF LIABILITY

I agree not to hold the Northeast Chapter, the Falcon Club of America, or the Mystic Aquarium responsible for losses, damages, or injuries while at this Convention.

Print Name

Sign Name

For more information please visit our website – www.northeastfalconchapter.com



**Carolina's Chapter
Falcon Club of America
Charlotte, North Carolina**

The Carolina's Chapter of the Falcon Club of America will be hosting the 10th Annual Carolina's Chapter Falcon Regional Meet and All Ford Show in Kannapolis, NC October 5th & 6th, 2012. This event will be held at the Holiday Inn Express Hotel & Suites, 2491 Wonder Drive, (Exit 60 – I-85). We expect cars from all over the Eastern United States.

We would appreciate your assistance in making this event a success by donating to sponsor a class in which the cars will be competing. Each class will have up to three (3) awards. The cost to sponsor an entire class is \$150.00. For this contribution you or your company will receive a commemorative t-shirt. Your name or company name will also be placed on each of the three (3) awards, program booklet, and on a sponsor banner out in the show parking lot. You may choose to sponsor a single award at the cost of \$50.00 each, which would get your name or company name placed on a specialty trophy (Best Engine, Best Interior, Paint, etc.), program booklet, and sponsor banner.

If you are unable to give money, then maybe you could donate an item or items to be given away as a door prize. Small items will be used in goody bags as advertisement for you or your company. These donors will appear in the program booklet as a sponsor and on the sponsor banner.

Your generosity and assistance is greatly appreciated in helping us to make this event a big success. Thank you for all your support of the Carolina's Chapter, FCA.

James Baxter
Regional Meet Chairman

James Baxter

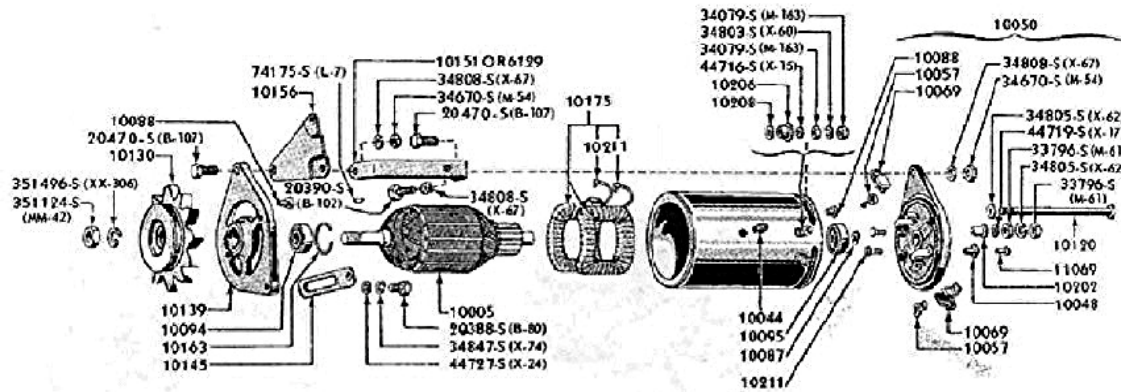
Mail to:
James Baxter
Carolina's Chapter, FCA
1192 Mirror Lake Road
Lincolnton, NC 28092
Phone: 704-736-1920
Email: nctalon@charter.net
Website: www.nctalon.org



*In each issue of **The Falcon Times**, we will bring you a tech article or an illustration for your technical information. If you would like to see a specific illustration, drop us a line and we will dig it out for you.*

FORD CAR PARTS

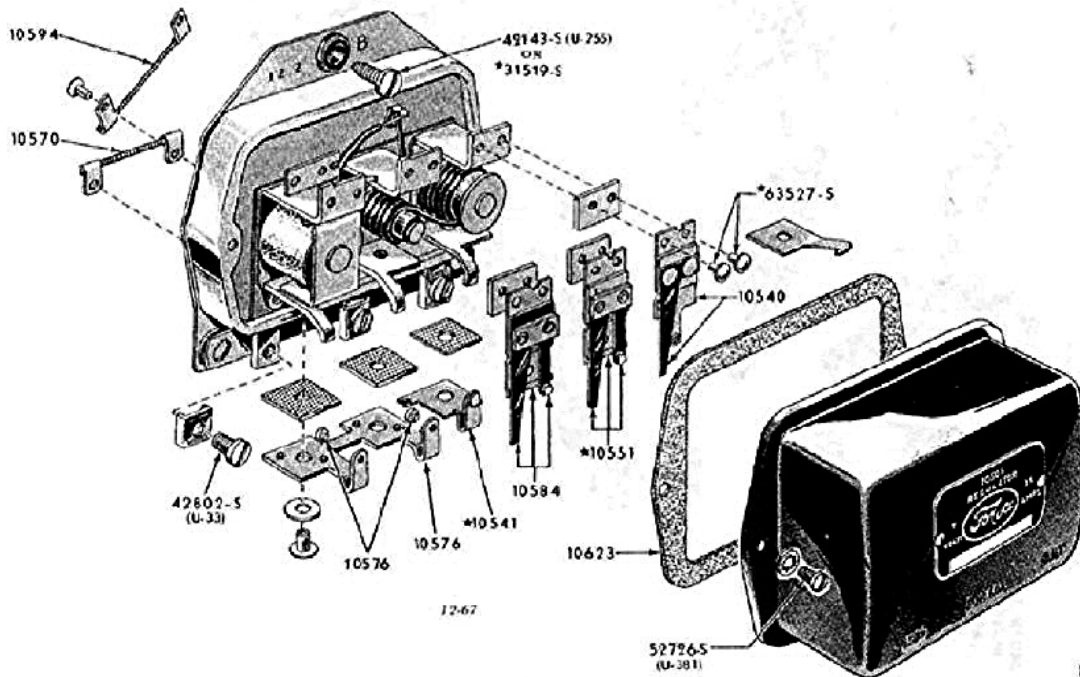
ILLUSTRATION SECTION 100



P-1825

12-67

1960/61 GENERATOR AND RELATED PARTS (FORD 15 VOLT-30, 35, 40 AMP.)-TYPICAL



P-1535

1960/65 VOLTAGE REGULATOR - TYPICAL (GENERATOR)

Revised December, 1967

COPYRIGHT © 1967—FORD MOTOR COMPANY—DEARBORN, MICHIGAN

Change No. 25



FEATHERED FRIENDS

*If you would like to see your Falcon in **The Falcon Times** fill out the handy-dandy form below*

FEATHERED FRIENDS INFORMATION FORM

Fill out as much of the form as applies, if you need more space you can write on the back or use a separate sheet. Send the form with pictures to me by e-mail: genninger@comcast.net or mail it to me at 66 Willowbrook Rd. Cromwell, CT 06416

Name:		Chapter Membership Number:	
Address:			FCA Membership Number:
Year:	Model:	Body style:	
When and how was the car acquired:			
History of car if known:			
Exterior color:		Interior color:	
Paint By:		Interior By:	
Body By:			
Engine:		Engine By:	
Engine Mods:			
Tires:		Wheels:	
Did anyone in you Family or friends own a <i>Falcon</i> ?			
Any other interesting facts about your <i>Falcon</i> that you want to tell us.			



"THE TRAILER STORY"

PART THREE

Text and Photos by: Gary Nenninger

It's funny how a simple thing like moving a trailer could turn into a major project costing a good deal of money and much more. About a month or so after returning from our trip to the Dearborn Nationals in 2010, the White 20' by 8½' 2011 **Sunshine** enclosed trailer was parked on the side driveway backed up to the double gate in the chain link fence (See photo below).



What I had thought would be a perfect parking place turned out to be not so perfect if you had to get past the White 20' by 8½' 2011 **Sunshine** enclosed trailer with another vehicle. "No problem" I'll just open the gate and move it down about ten feet or so to get past then move it back up when done. So I jump in the White 06 F150 Lariat and back it into place to hook up the White 20' by 8½' 2011 **Sunshine** enclosed trailer. I back it down the 5° - 6° inclined driveway (**Remember the 5°-6° incline**), and align the ball and tongue perfect on the first try then crank down the tongue onto the hitch ball. (This trailer stuff is getting easy!) I proceed to hook up the electrical

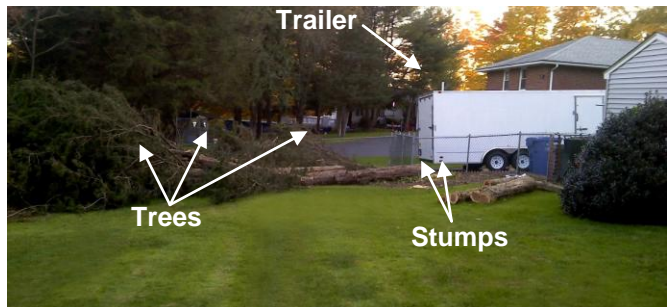


connections for the lights and brakes, then the safety chains before I un-chuck the wheels. With this "Standard Procedure" completed (**Remember the standard procedure!**) I back it down through the double gate about ten feet. I proceeded to reverse the standard procedure for hook-up, first the electrical connections for the lights and brakes, then the safety chains. Next I started to crank down the jack to loosen the tongue from the hitch ball POP! The tongue releases from the ball. Now, remember the 5° - 6° incline and the standard hookup procedure that I was suppose to reverse? Was the last thing I did on hookup and the first thing I did for reversing the standard procedure the same? You probably realized that the last thing I did on hookup was un-chuck the wheels, so the first thing I should have done was, you got it, **CHUCK THE WHEELS!** Well, I figured that out as soon as I heard the POP and felt the 20' by 8½' 2011 **Sunshine** enclosed trailer moving down the 5° - 6° incline while hopping on the trailer jack. Now, I could have let it go to prevent straining every muscle in my body by trying to hold back a 3700lb 20' by 8½' 2011 **Sunshine** enclosed trailer moving down the 5° - 6° incline while hopping on the trailer jack, but I did not. After it dragged me about ten more feet it finally dawned on me to simply pull the cord to release the electric brake safety pin. So I pulled the cord, let me tell you, pulling that cord stopped the 3700lb 20' by 8½' 2011 **Sunshine** enclosed trailer moving down the 5° - 6° incline while hopping on the trailer jack faster than a short fat old man can. I finally came to a stop when my shin bone made contact with the tongue of the 3700lb 20' by 8½' 2011 **Sunshine** enclosed trailer. Ok, it hurt, but not as much as my pride, I looked around to see if any one saw my little adventure, nope! I'm still cool with the neighbors.

So now I say to myself "Self, you need a better place to park the 20' by 8½' 2011 **Sunshine** enclosed trailer." After thinking about it I decided that if I removed a grove of 4 messy cedar trees between the trailer and shed it would be a good spot. It would also mean moving the existing gate or installing a new one. After looking at the angle of the proposed spot and the drive way it was decided to put in a new wider gate adjacent to the existing one. The next step was to cut down the grove of cedar trees and removing the mess. My brother came and cut down the trees and I was left to clean up.



Naturally, I did the right thing and hired someone to clean it up and haul away the mess (\$). Now it was time to get the fence company to come in and put in the new gate (S). After the stumps were removed a 16' by 36' area was marked out on a 30° angle from the drive way and prepared for paving the rest of the area was graded (more \$).



By the time the work was completed and the parking area had settled it was time to put either the Mustang or Sprint in the White 20' by 8½' 2011 **Sunshine** enclosed trailer for the winter. After some thought, I decided to winter the Mustang in the trailer. I had just replaced the original 11 year old battery before it gave me problems, so it would be OK in the heated trailer. (**Remember the new battery**). So I hooked up the trailer moved it up to the top driveway and loaded up the Mustang. That's when I realized the Mustang was considerable lower than the Falcon. Again, no problem it's a convertible, I'll just put the top down get out, put the top back up and put the power window up as far as I could, cover it and it was ready for a long winters nap. Now, for the first time I was to back into the new parking area. Because it took longer to load the Mustang than the Sprint it was dark when I started to back down the 5°-6° inclined driveway through the new wide gate and on to the 30° angled parking pad. Now I know you expected me to have some trouble at this point, but believe it or not, even with the little light and Kathy helping guide me I was able to put the White 20' by 8½' 2011 **Sunshine** enclosed trailer in position in one try. I did have to do some trimming of the flowering shrubs to make the cut but that was it. (I think I have this trailer stuff figured out!).

That winter of 2010/2011 was bad as you may remember with a lot of cold and snow, but the trailer and Mustang appeared to do fine. When spring came, it was time to get the Mustang out of hibernation.



I hooked up the truck and pulled the White 20' by 8½' 2011 **Sunshine** enclosed trailer up the 5°- 6° inclined driveway and proceeded to unload the Mustang. First thing is to reach in and put the window down to start the car. Remember the new battery? Well, it was dead. OK now what, how do I open the hood to get at the battery when the window will not work. After thinking about it for a while I tried to use different objects to hook onto the hood latch to no avail. Finally I reached in as far as I could and released the latch. Now all I had to do was relocate my dislocated shoulder and I would be fine. I get my battery pack, hook it up then reach into the car and turn the key. The car starts fine, now I have to put the top down to get into the car. I reach into the car to push the top switch down but I can't reach it, I'll try my left arm this time since I used my right for the hood. As I was in the process of dislocating my left shoulder trying to reach the switch, it dawned on me maybe if I put the **WINDOW DOWN!** I could reach the switch. At least no one could see what I was doing in the White 20' by 8½' 2011 **Sunshine** enclosed trailer. I was still cool with the neighbors. I unhook the tie downs and put the foam rubber over the passenger side steel cable of the ramp, I figured I could watch the driver side pretty good. I get in the Mustang and back out on to the ramp and down to the driveway. I turn the car around and park in front of the garage doors, something did not seem right. I get out of the car and notice the front tire is flat, I drove out of the White 20' by 8½' 2011 **Sunshine** enclosed trailer with a flat and left a nice black rubber mark on the new gray carpet in the trailer.

Now, you might say, "Boy you had quite a time." And I would say to you, "The best part has yet to come." Because the best part is yet to come and I have run out of space and time I will have to save it for "Part Four" in the next edition of the Falcon Times. 🚗



* New way to shrink local delivery costs



TAKE 204 CUBIC FEET OF LOADSPACE...
(and that's up to 39% more than you get in 1/2-ton panels)



SURROUND IT WITH SIX BIG DOORS...
(so that you can get your loads in and out fast)



ADD A FALCON ENGINE WITH PROVEN GAS ECONOMY...
(and put the engine up front to keep the load floor flat from front to back)



PRUNE AWAY 1,000 LBS. OF TRUCK WEIGHT...
(yet actually increase the truck's payload allowance to 1/2 ton)



AND PRICE IT UP TO \$433* BELOW CONVENTIONAL PANELS!
(*based on latest available manufacturers' suggested retail delivered prices)



This is it!
The new

FORD Econoline VAN!

Another modern, money-saving truck from
FORD DIVISION, Ford Motor Company.



NEW PICKUP—America's lowest priced!*
Easy-to-load 7 ft. box, 73 cu. ft. of loadspace, 1/2-ton payload.



NEW STATION BUS
Twice the space of big station wagons—priced less than most compact wagons!*

**FORD TRUCKS
COST LESS**

YOUR FORD DEALER'S
"CERTIFIED ECONOMY BOOK"
PROVES IT FOR SURE!

